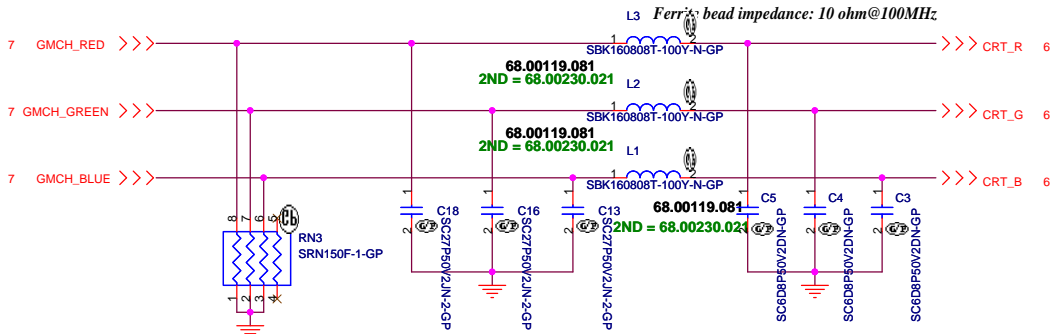
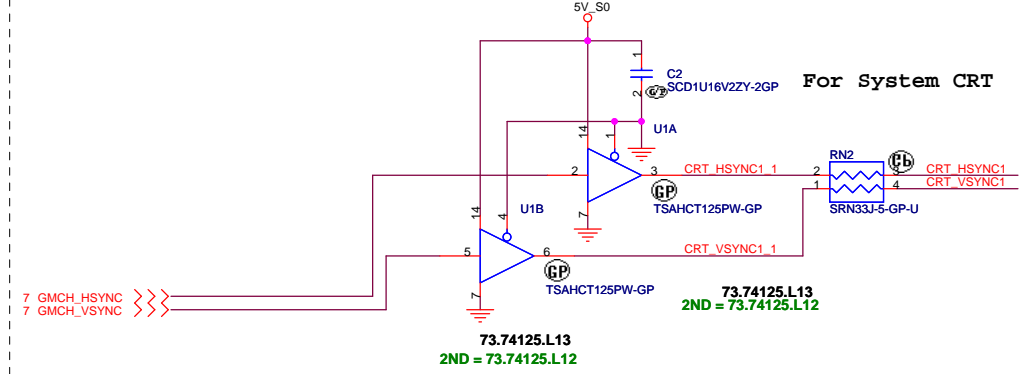


Layout Note:
Place these resistors
close to the CRT-out
connector

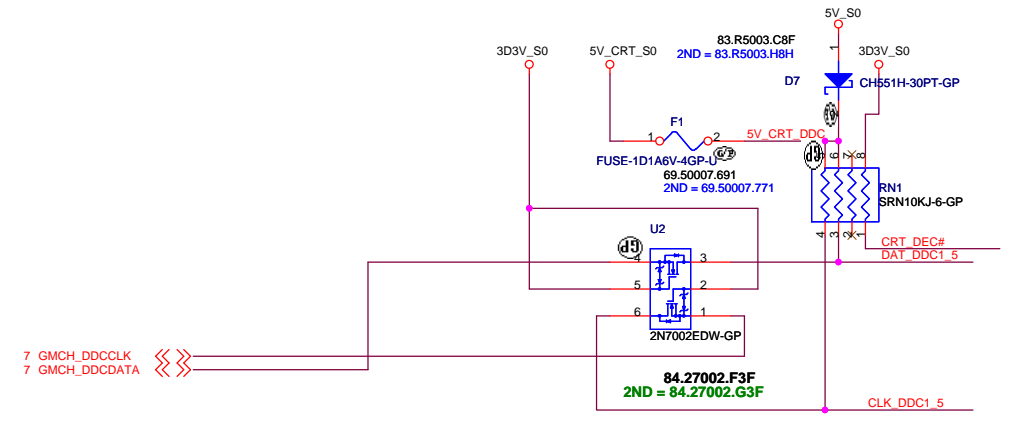


Layout Note:
* Must be a ground return path between this ground and the ground on the VGA connector.
Pi-filter & 150 Ohm pull-down resistors should be as close as to CRT CONN. RGB will hit 75 Ohm first, pi-filter, then CRT CONN.

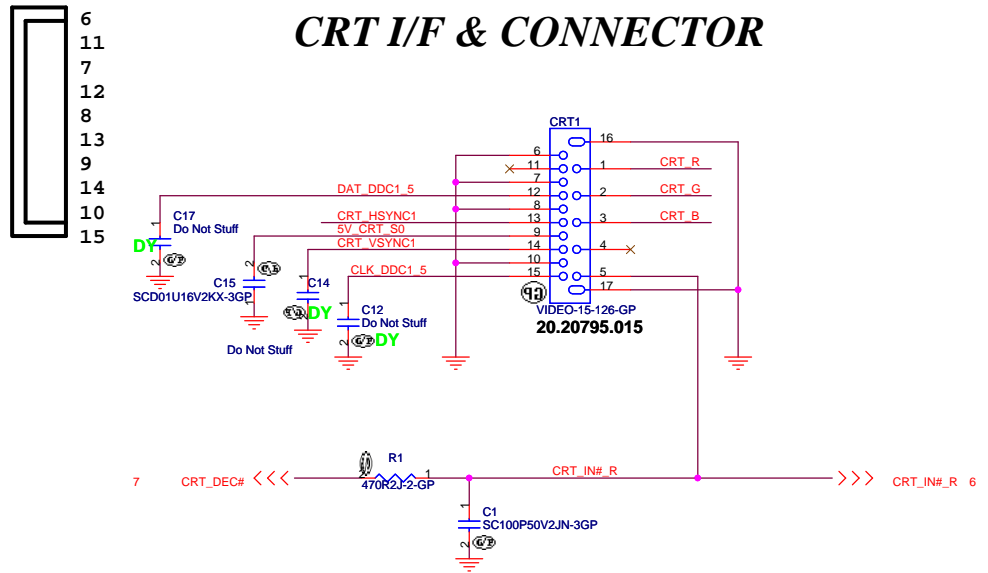
Hsync & Vsync level shift



DDC_CLK & DATA level shift



CRT I/F & CONNECTOR



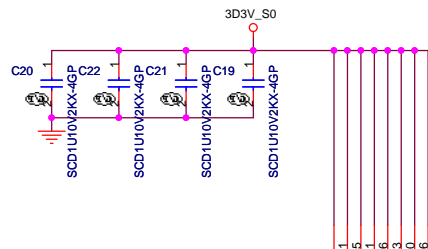
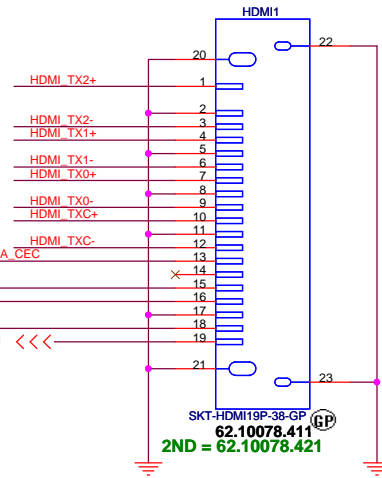
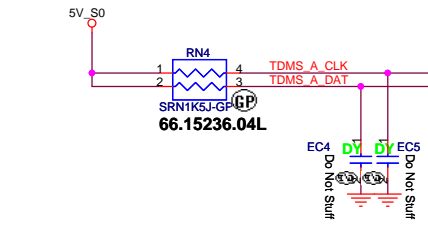
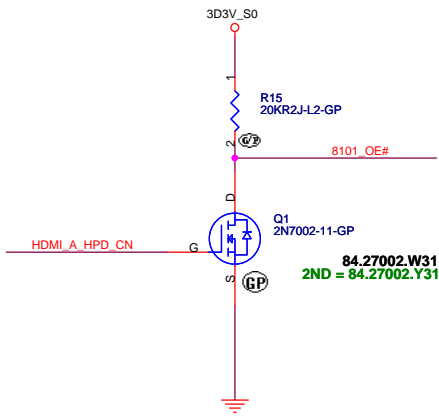
UMA CRT

緯創資通 Wistron Corporation
21F, 88, Sec.1, Hsin Tai Wu Rd., Hsichih, Taipei Hsien 221, Taiwan, R.O.C.

Title: **CRT CONN**

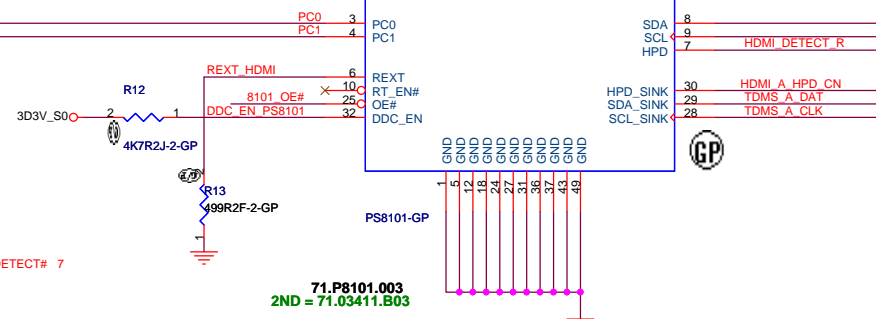
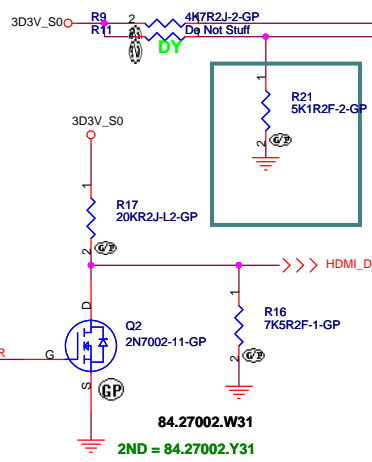
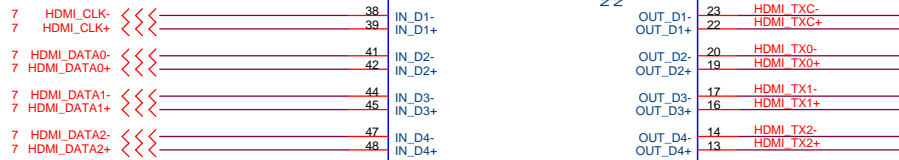
Size	Document Number	Rev
	JM51 CRT BD	-1

Date: Wednesday, March 04, 2009 Sheet 2 of 8



SC_20090208

Recommended Equalization: [PC1,PC0]=01, 4dB



UMA CRT

緯創資通 Wistron Corporation
21F, 88, Sec.1, Hsin Tai Wu Rd., Hsichih, Taipei Hsien 221, Taiwan, R.O.C.

Title: **HDMI CONN**

Size: Document Number

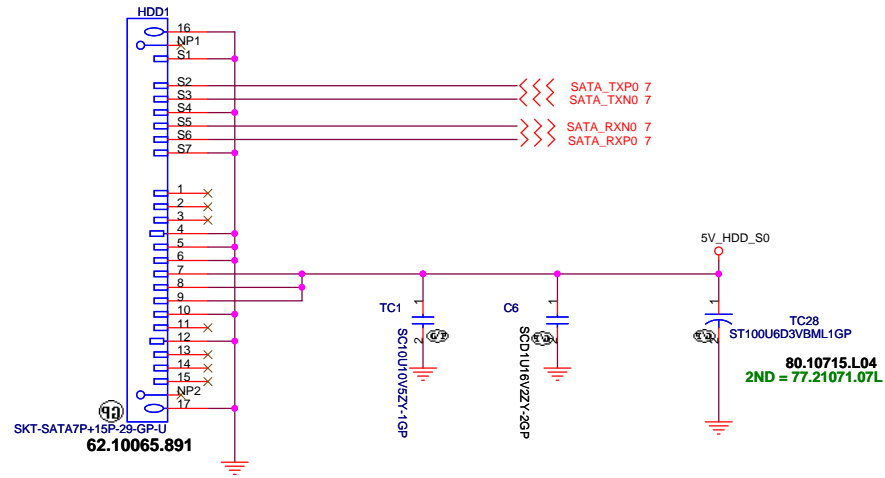
Date: Wednesday, March 04, 2009

Sheet 3 of 8

Rev -1

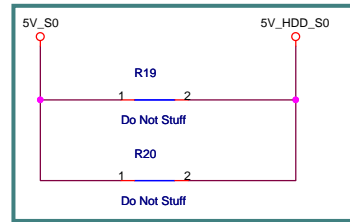
JM51 CRT BD

SATA Connector



HDD Power

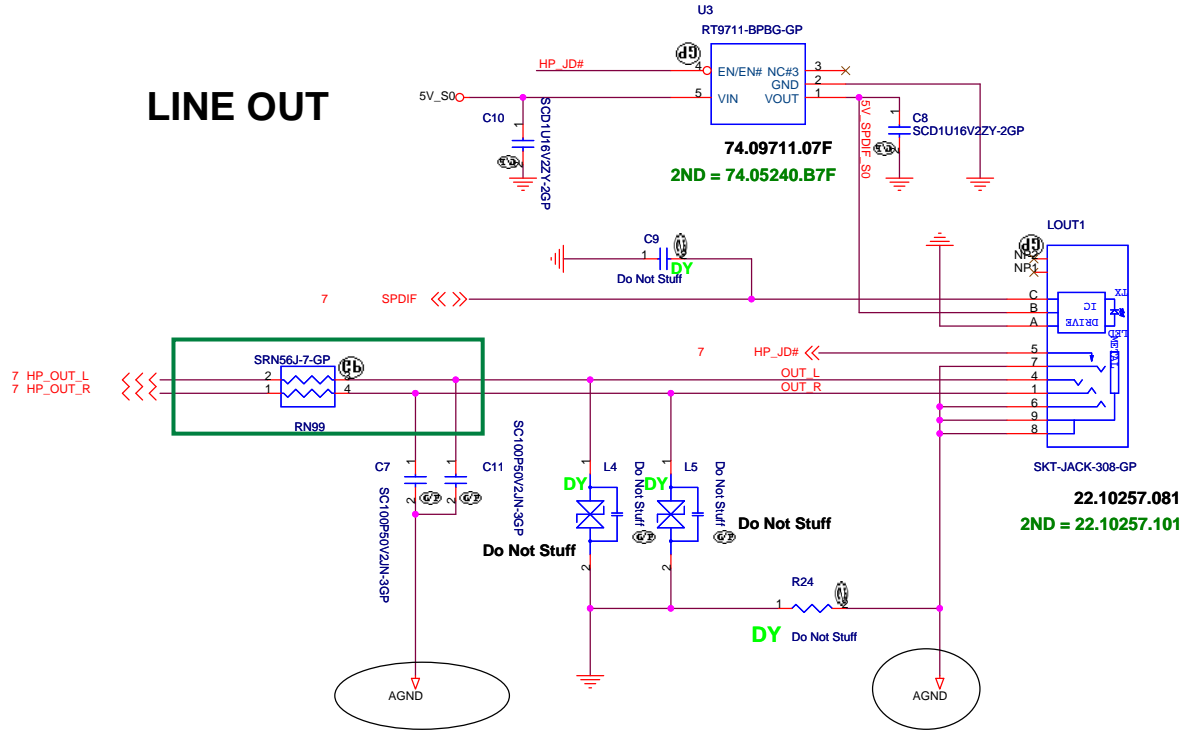
-1_20090301



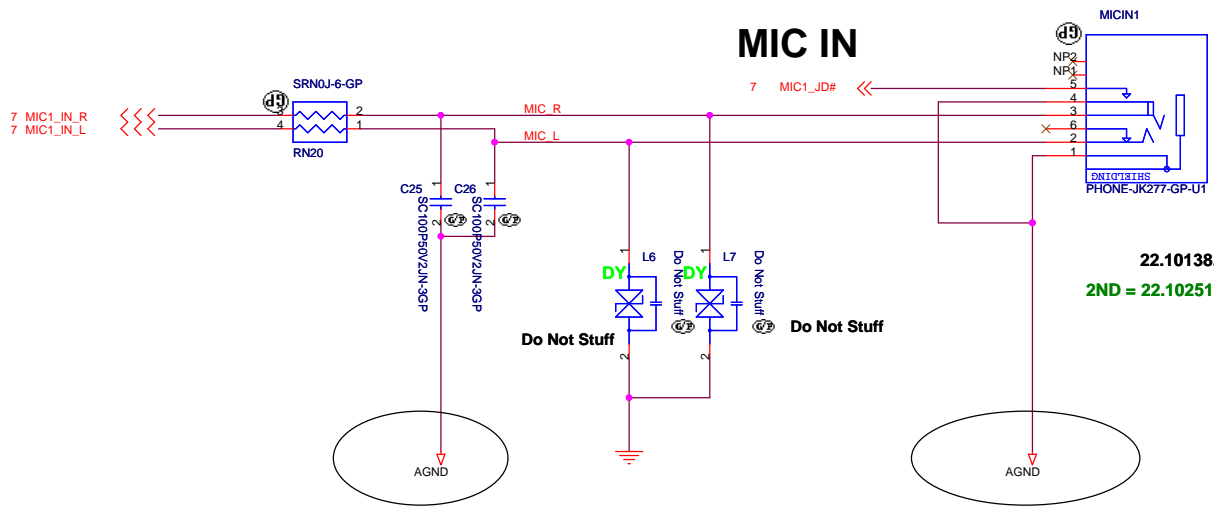
UMA CRT

緯創資通		Wistron Corporation	
		21F, 88, Sec.1, Hsin Tai Wu Rd., Hsichih, Taipei Hsien 221, Taiwan, R.O.C.	
Title			
HDD CONN			
Size	Document Number		Rev
	JM51_CRT_BD		-1
Date: Wednesday, March 04, 2009		Sheet	8

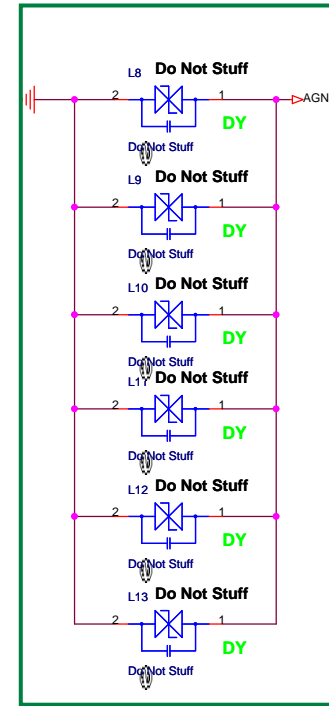
LINE OUT



MIC IN



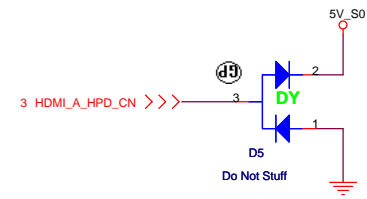
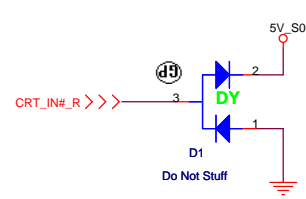
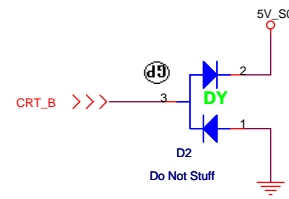
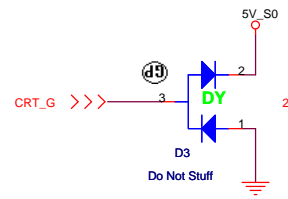
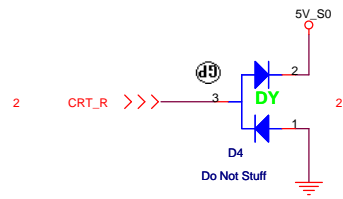
-1_20090301



UMA CRT

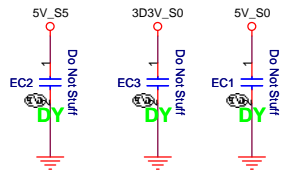
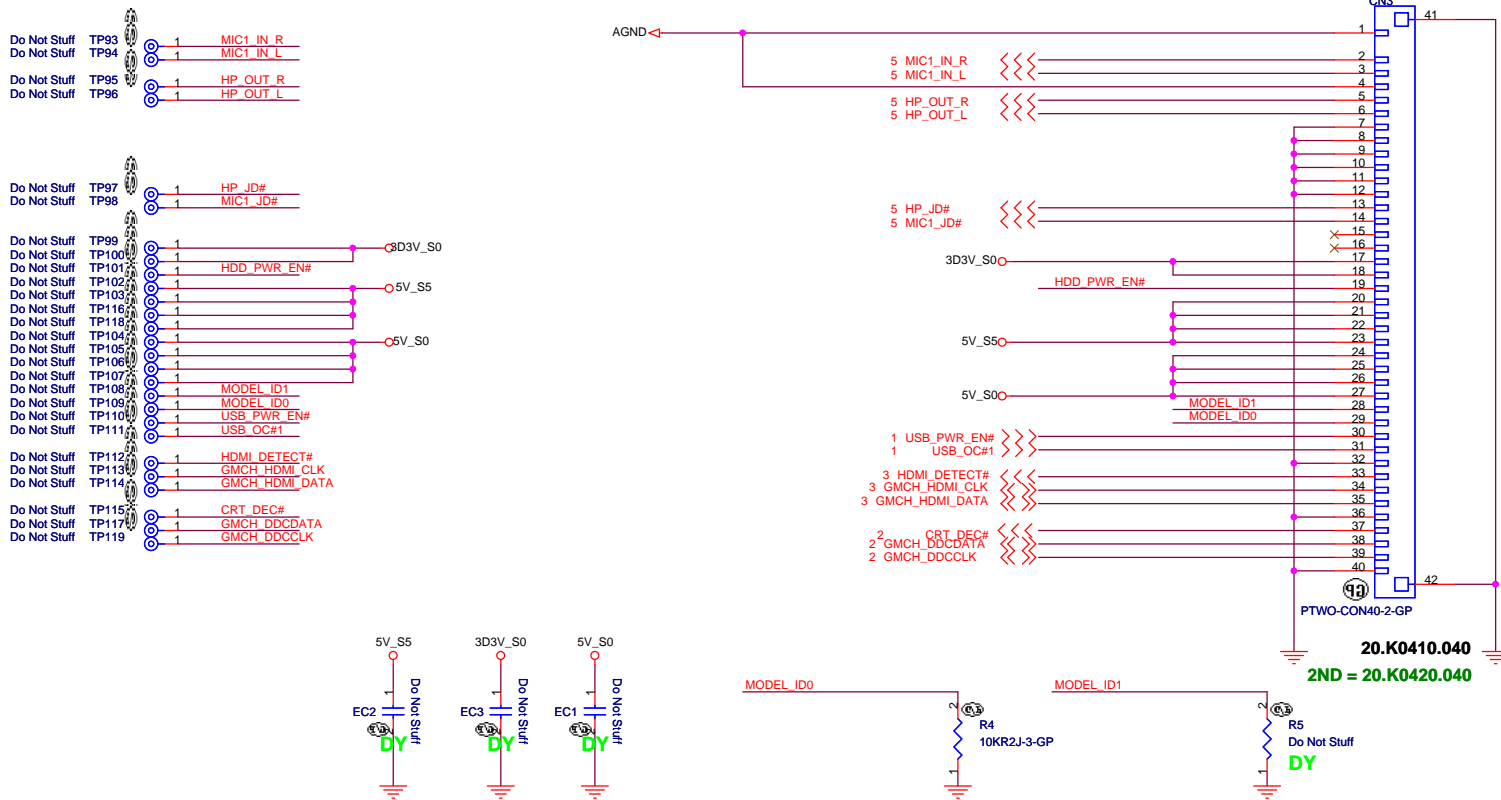
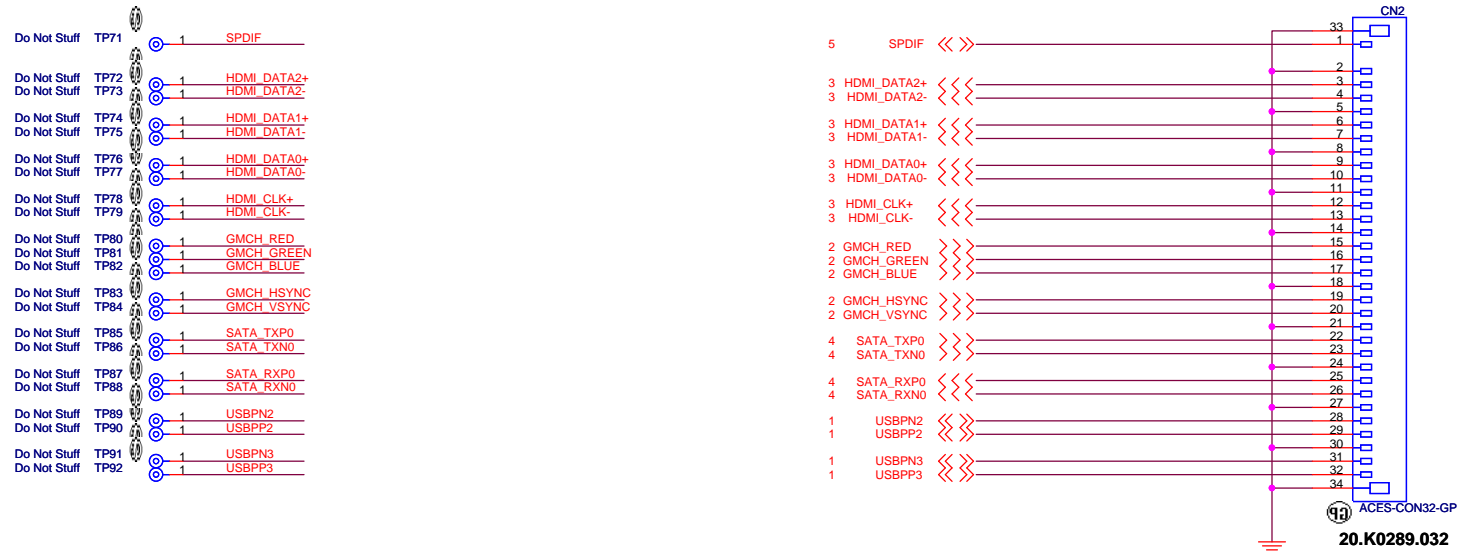
緯創資通 Wistron Corporation
21F, 88, Sec.1, Hsin Tai Wu Rd., Hsichih,
Taipei Hsien 221, Taiwan, R.O.C.

Title			AUDIO JACK		
Size	Document Number				Rev
	JM51 CRT BD				-1
Date:	Wednesday, March 04, 2009	Sheet	5	of	8



UMA CRT

		Wistron Corporation 21F, 88, Sec.1, Hsin Tai Wu Rd., Hsichih, Taipei Hsien 221, Taiwan, R.O.C.
Title		
UNUSED LOGIC GATE		
Size	Document Number	Rev
	JM51 CRT BD	-1
Date: Wednesday, March 04, 2009	Sheet 6	of 8



UMA CRT

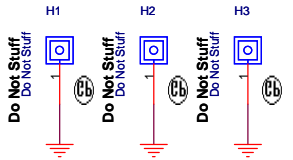
緯創資通 Wistron Corporation
21F, 88, Sec.1, Hsin Tai Wu Rd., Hsichih, Taipei Hsien 221, Taiwan, R.O.C.

Title: **CRT BD CONN**

Size: Document Number

Date: Wednesday, March 04, 2009 Sheet 7 of 8

Rev: **JM51 CRT BD** -1



UMA CRT

<small>21F, 88, Sec.1, Hsin Tai Wu Rd., Hsichih, Taipei Hsien 221, Taiwan, R.O.C.</small>	
Title	
EMI/Spring/Boss	
Size	Document Number
JM51 CRT BD	
Date: Sunday, March 01, 2009	Sheet 8 of 8
Rev	-1